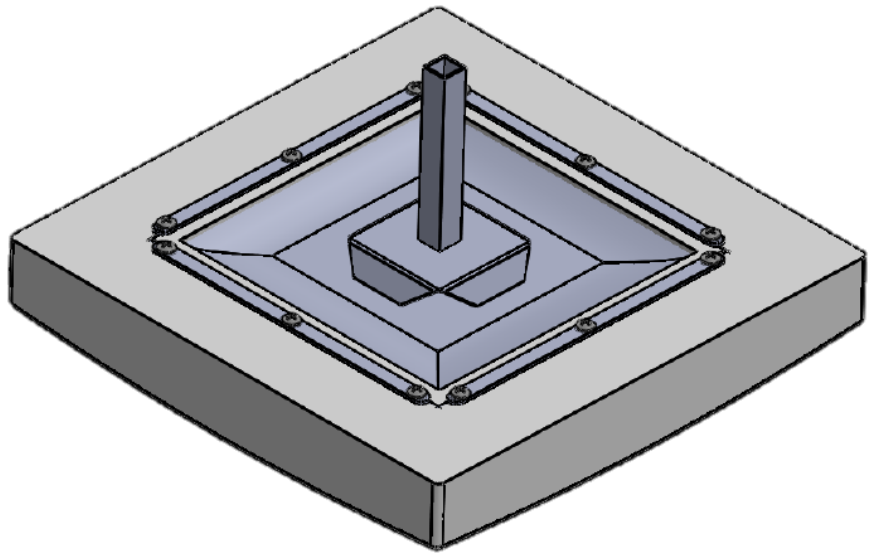


UCS BASEBALL BASE SPECIFICATIONS

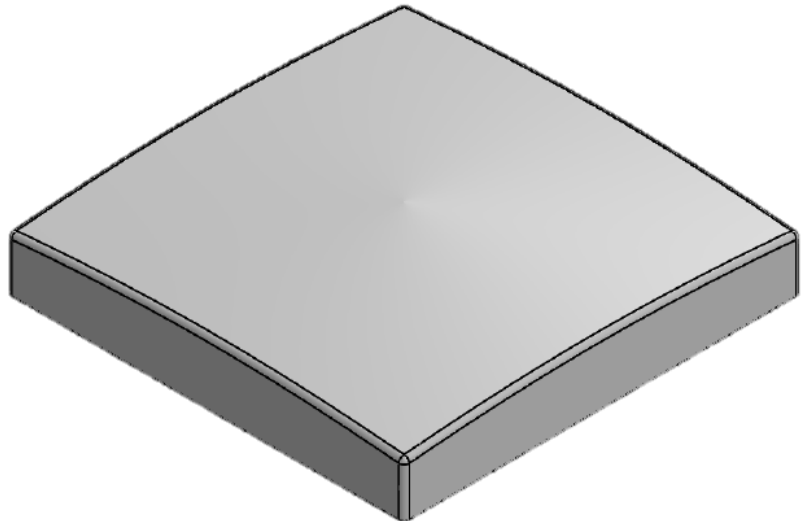
Baseball Pro Style Base –

- ∞ 15" x 15" Baseball base with a 5" 1/8 anchor.
- ∞ Pro-Style Base display beehive design that allows the base to compress upon impact reducing sliding injuries while providing stability and support during regular play. Pebble-embossed, UV resistant base top helps to prevent slipping and spike puncture. The Pro-Style Base is equipped with a Soft Foam with a built in Steel-plated rust resistant anchor .



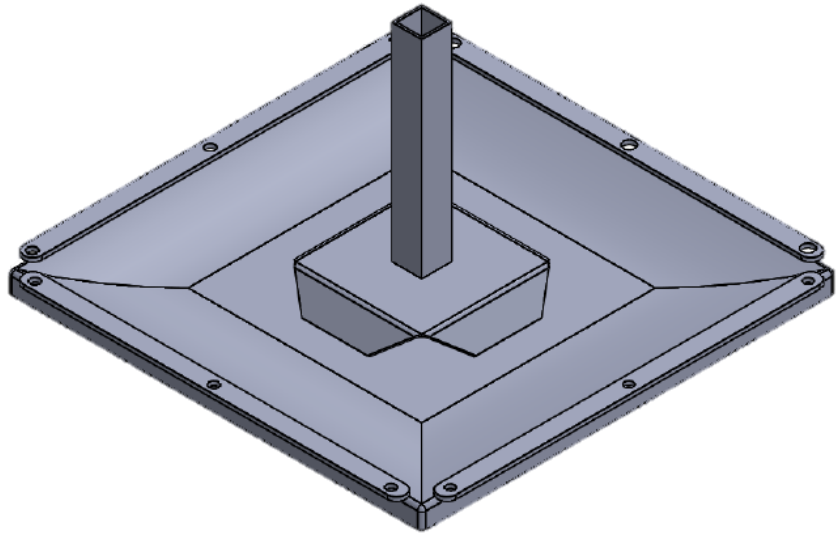
Baseball Break Away Base –

- ∞ Tough 15' x 15" High quality white rubber cover with unique foam interior.
- ∞ PRO model base tops for professional or advanced players. Popular in college level play, minor and major league baseball. Compatible with Breakaway™ Base® system only.



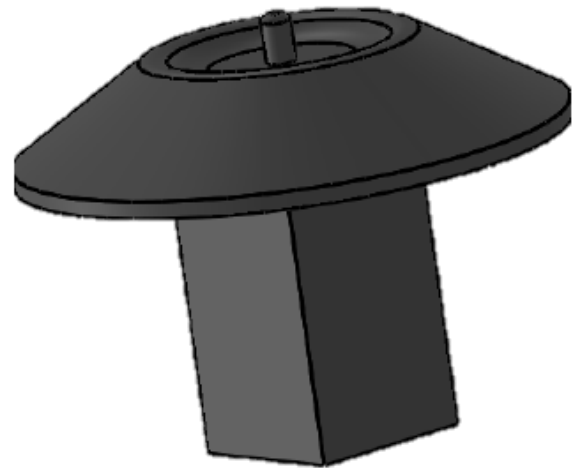
Rubber Anchor Plugs –

- ∞ This Steel base anchor foundation is a fast and easy way to install base anchors. The pre-assembled anchor does not require any cement to install on your baseball or softball field and insures a stable anchor system for your base.
- ∞ 12" x 12" Base with a 5 1/8" anchor. 3" x 3" square



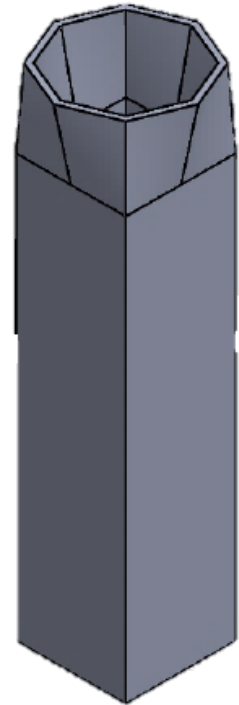
Base Ground Anchors –

- ∞ Ground Anchor Base Plugs prevent infield material from clogging base anchors. Rubber plugs measure 1 1/2" X 1 1/2". 5" mushroom diameter and 1" rise helps to locate infield anchors. Compatible with all baseball ground anchor receptacles.



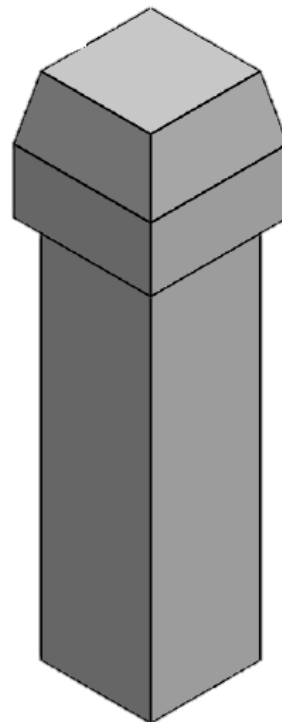
Base Ground Anchors –

- ∞ Steel ground receptacle base anchors compatible with “Change-Up™” BreakAway™ Base sets. 1 1/2" x 1 1/2" x 8" standard size



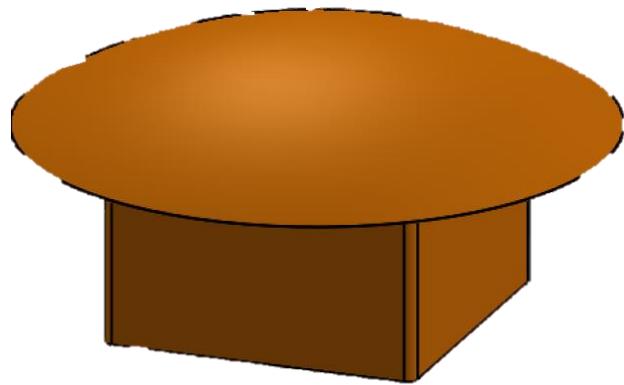
Replacement Rubber Baseball Post –

- ∞ Swap out the rubber base posts on the bottom of the Professional Base Set or the Pro Style Molded Double First Base with this replacement rubber base post.
- ∞ Solid Rubber Base Stake 7" x 1.5"



Molded Rubber Base Plugs –

- ∞ This durable rubber plug is designed to keep dirt out of ground anchors when bases are not in use.
- ∞ Product features: Molded rubber, Fits into 1-1/2" ground anchors, Noticeably Color, fits over 1" anchors & Easy to remove.



Installation:

- ∞ Follow manufacturers instructions
- ∞ Check local codes

Notes: Manufactured and Available from:

UCS Inc., 511 Hoffman Rd, Lincolnton, NC 28092. Contact: Michael Chappell, Ph. (704) 732-9922. Fax: (704) 732-9559. Michaelc@ucsspirit.com (E-Mail)

MADE IN USA